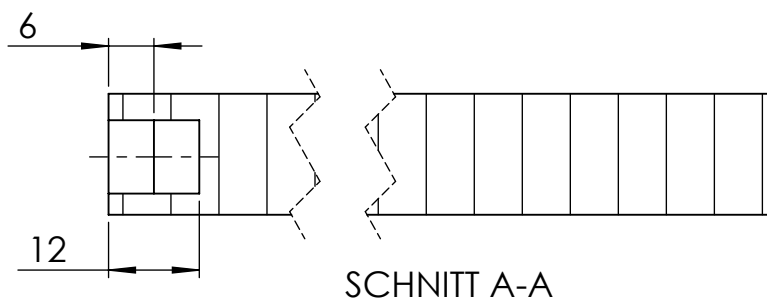
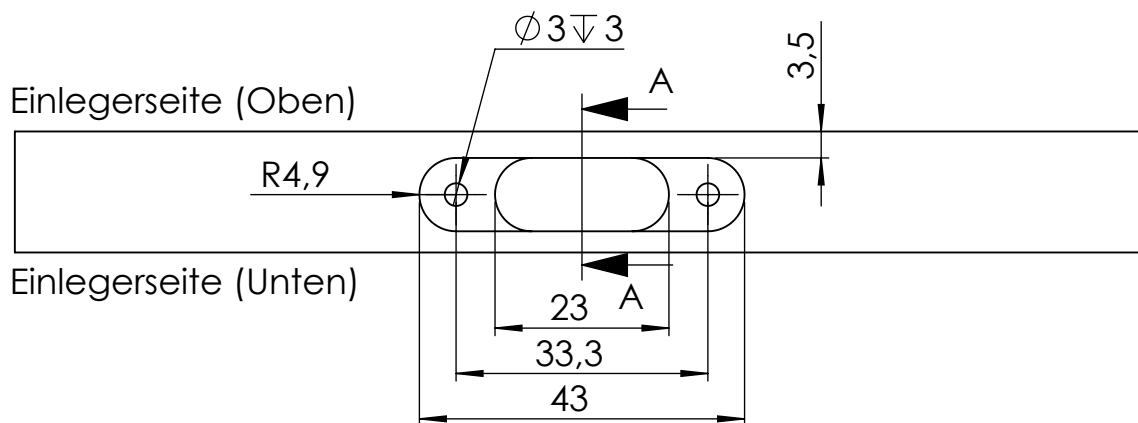


All property rights and rights to exploitation of copyright for this drawing data remain ours; they may not be made available to third parties without our consent.



Index	Change		Date	Name	
 DIN ISO 128-30	Description: Frässhablone-15845				
	PÖTTKER Transforming furniture	Signed Buys, T.	Name Date 13.11.2017	Surface: Material:	
Tested			Weight: _____ kg		
General tolerance: DIN ISO 2768 - m		Item No: 2017-211-000	Scale 1:1	Page 1/1	A4